



T H E R M O M E T R I C S
A C O M M I T M E N T T O E X C E L L E N C E

NTC Type NDL

Thermometrics Epoxy-Coated Chip Thermistor



Description

A range of epoxy-coated chips with bare 0.0098 in (0.25 mm) tinned copper lead-wires.

Features

- Designed for accurate temperature measurement, control and compensation
- Tight tolerances on resistance and B value
- Operation up to 311°F (155°C) with excellent stability
- Small body size
- Fast response
- Epoxy resin provides voltage insulation
- Suitable for automotive, HVAC and white goods applications
- RoHS compliant

Amphenol
Advanced Sensors

Type NDL Specifications

Epoxy-coated chip thermistor

R25 Ω	Material System	B Value 25/85°C K	Maximum Operating Temperature °F (°C)	Code R25°C ± 1%	Code R25°C ± 2%	Code R25°C ± 3%	Code R25°C ± 5%	Code R25°C ± 10%
1000	2	3540 ± 1%	257 (125)	NDL102C2R1	NDL102C2R2	NDL102C2R3	NDL102C2R5	NDL102C2R10
2000	2	3540 ± 1%	257 (125)	NDL202C2R1	NDL202C2R2	NDL202C2R3	NDL202C2R5	NDL202C2R10
5000	2	3540 ± 1%	257 (125)	NDL502C2R1	NDL502C2R2	NDL502C2R3	NDL502C2R5	NDL502C2R10
1000	2A	3627 ± 1%	257 (125)	NDL102C2AR1	NDL102C2AR2	NDL102C2AR3	NDL102C2AR5	NDL102C2AR10
2000	2A	3627 ± 1%	257 (125)	NDL202C2AR1	NDL202C2AR2	NDL202C2AR3	NDL202C2AR5	NDL202C2AR10
5000	2A	3627 ± 1%	257 (125)	NDL502C2AR1	NDL502C2AR2	NDL502C2AR3	NDL502C2AR5	NDL502C2AR10
2700	1	3977 ± 0.75%	311 (155)	NDL272C1R1	NDL272C1R2	NDL272C1R3	NDL272C1R5	NDL272C1R10
5000	1	3977 ± 0.75%	311 (155)	NDL502C1R1	NDL502C1R2	NDL502C1R3	NDL502C1R5	NDL502C1R10
10000	1	3977 ± 0.75%	311 (155)	NDL103C1R1	NDL103C1R2	NDL103C1R3	NDL103C1R5	NDL103C1R10
30000	1	3977 ± 0.75%	311 (155)	NDL303C1R1	NDL303C1R2	NDL303C1R3	NDL303C1R5	NDL303C1R10
50000	1	3977 ± 0.75%	311 (155)	NDL503C1R1	NDL503C1R2	NDL503C1R3	NDL503C1R5	NDL503C1R10
10000	4A	3436 ± 1%	311 (155)	NDL103C4AR1	NDL103C4AR2	NDL103C4AR3	NDL103C4AR5	NDL103C4AR10
12000	5	3740 ± 1%	257 (125)	NDL123C5R1	NDL123C5R2	NDL123C5R3	NDL123C5R5	NDL123C5R10

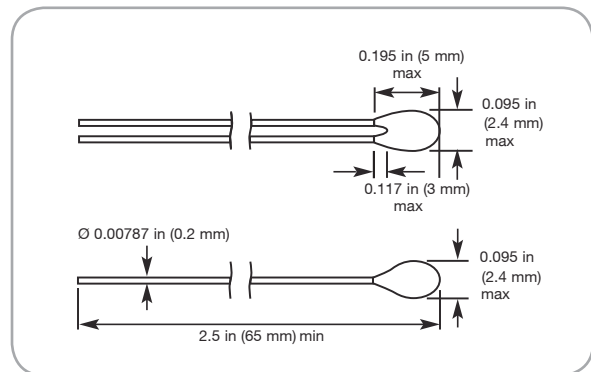
See separate tables for resistance - temperature data.

Options

- Other resistance values within the ranges shown; e.g. code NDL152C2R1 for 1500 Ω ± 1% at 77°F (25°C) in the range of 32°F (0°C) up to the maximum operating temperature
- Alternative reference temperatures
- Wire lengths 1.181 in to 23.62 in (30 mm to 600 mm) (±1 mm or ±2%, whichever is the greater)
- Other wire materials

Data

- Operating temperature range: -40°F to 311°F (-40°C to 155°C)
- Thermal time constant: <10 s
- Dissipation factor: 2.2 mW/K
- Voltage insulation: 500 VDC
- Packing: 500/box



NTC Type NDL Dimensions

Amphenol
Advanced Sensors

www.amphenol-sensors.com

© 2015 Amphenol Corporation. All Rights Reserved. Specifications are subject to change without notice. Other company names and product names used in this document are the registered trademarks or trademarks of their respective owners.

AAS-920-572B-09/2015