

T H E R M O M E T R I C S  
A C O M M I T M E N T T O E X C E L L E N C E

# ZTP-315MIH

## Thermometrics IR Module



This IR module is used for non-contact surface temperature measuring. The ZTP-315MIH presents the temperature compensated single outputs via voltage output with optics (glass lens for high temperature detection). It can also provide compatibility with the customer's device without the need for recalibration. The ZTP-315MIH uses 3-wire connections: one for output signal, single power supply and ground.

The field of view is about  $\pm 9$  degrees for 50% normalized output. The total size is only 33 mm X 17 mm.

### Applications

- Induction Heater/Cooker
- Appliances

### Features

- High temperature measurement
- Single module
- Ambient temperature (thermistor) sensor included for compensation
- Fully calibrated and compensated
- Analog output

**Amphenol**  
**Advanced Sensors**

# Specifications

## Supply Voltage

Single Supply (+5V)

## Supply Current

Typical 2.7 mA

## Response Time

0.3 ~ 0.6 sec

## Temperature Range

20°C~ 380°C

## Operating Temperature

20°C~+100°C

## Storage Temperature

- 20°C ~ +120°C

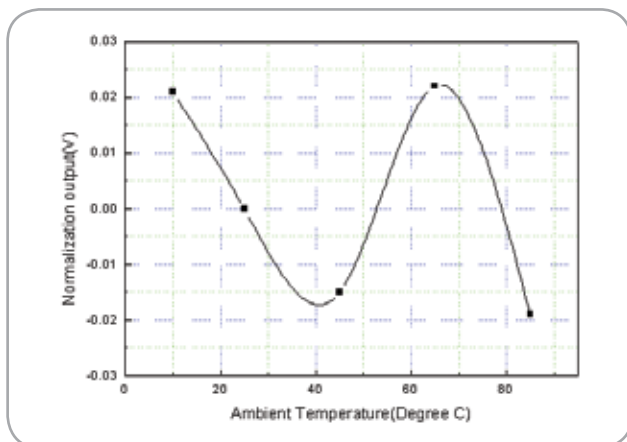
## Thermopile Sensor

ZTP-315C

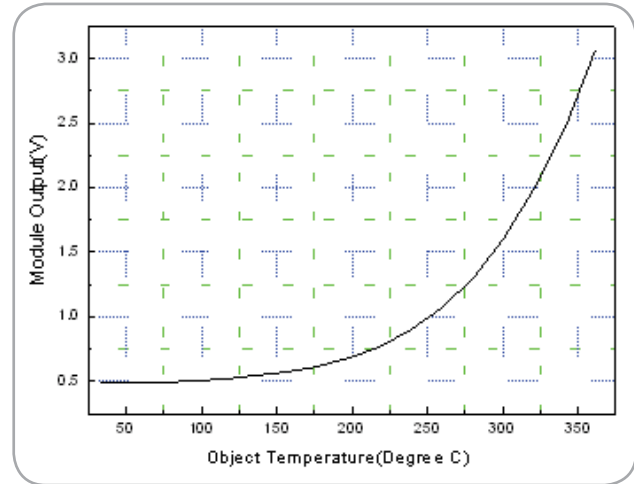
## Module Size

17 mm x 33 mm

## Temperature Accuracy (typical)



## Sensitivity



### \* Module output

- Tobj= 25°C: 0.50V±0.05V

- Tobj= 150°C: 0.56V±0.05V

- Tobj= 200°C: 0.69V±0.10V

- Tobj= 250°C: 0.99V±0.15V

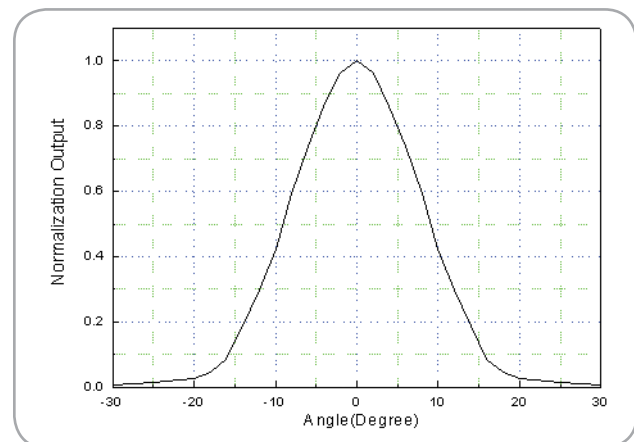
- Tobj= 300°C: 1.59V±0.2V

- Tobj= 350°C: 2.70V±0.3V

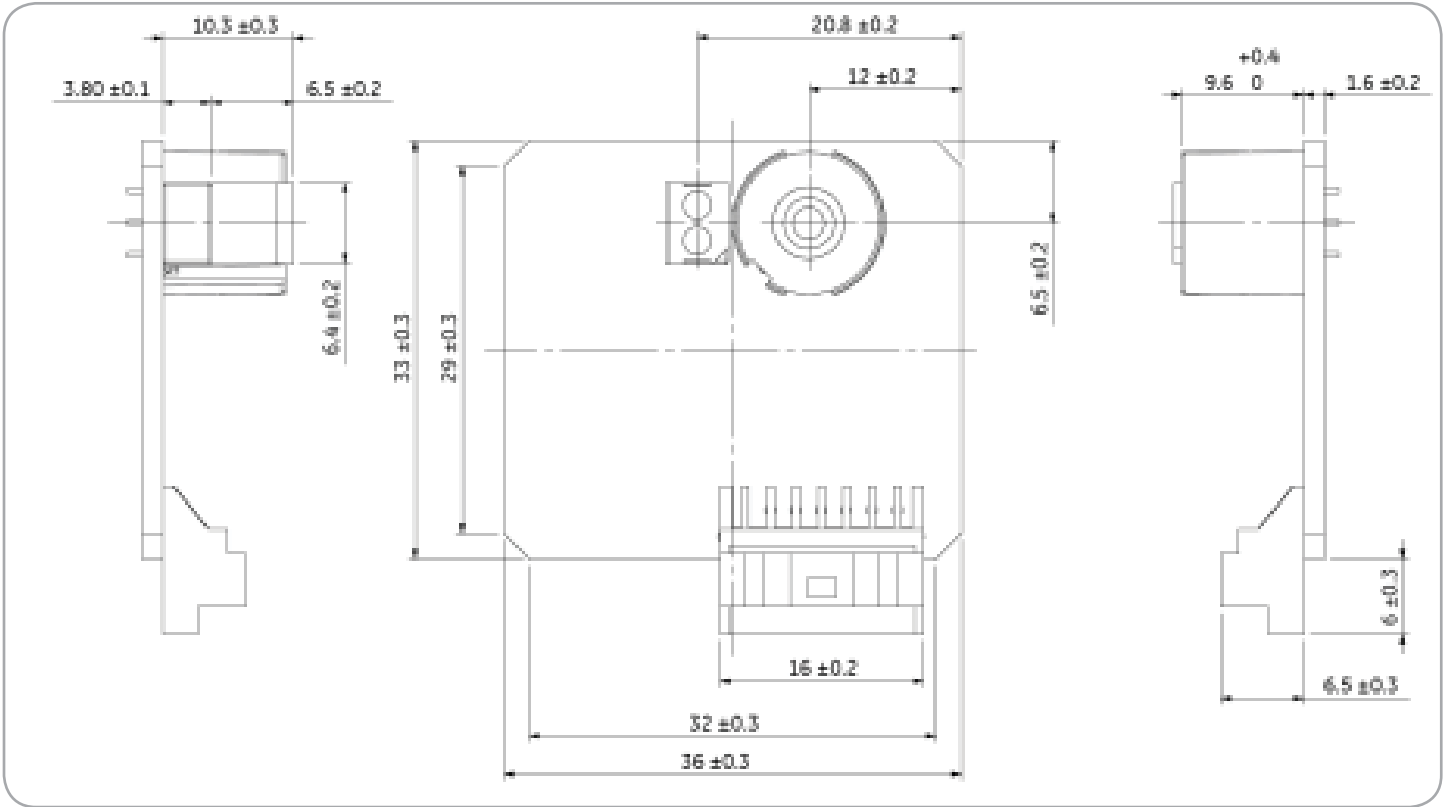
## Field of View

- Normalized Output (above 50%) : ±9°
- Normalized Output (above 10%) : ± 16°

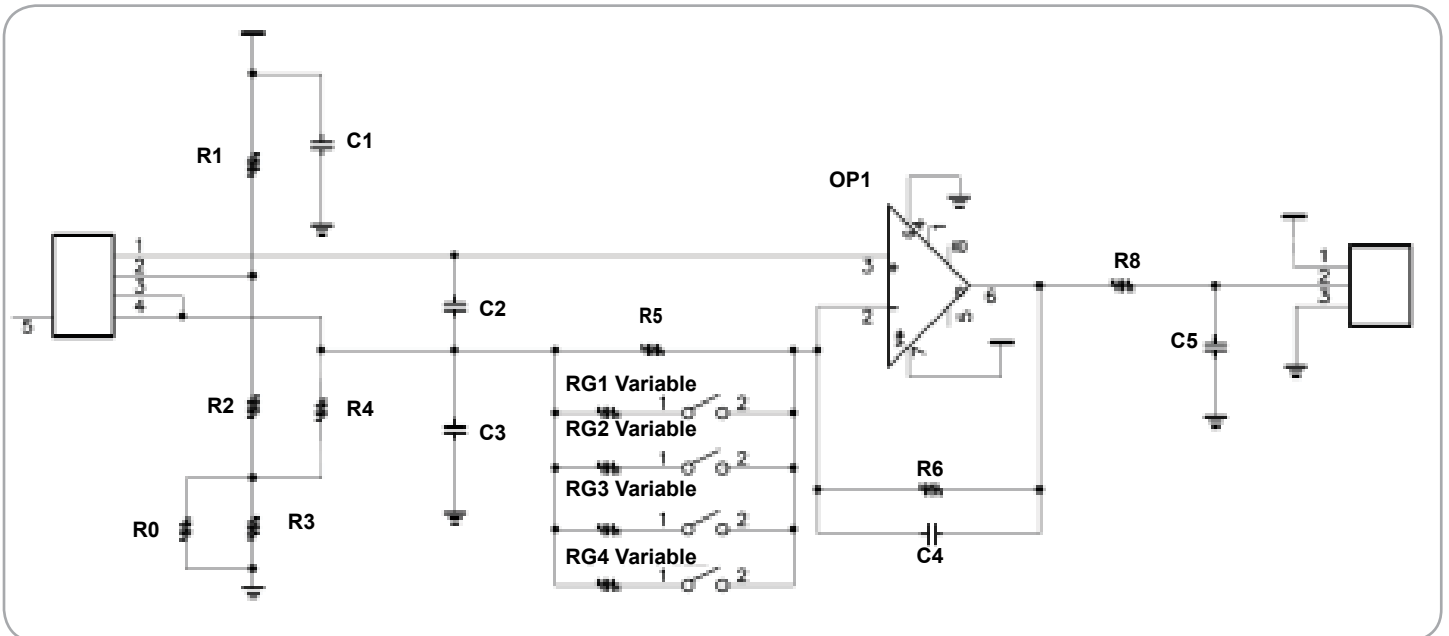
\*Condition : Distance of IR Point Source to Reflector : 170mm



## Outline of Module and Pin Arrangement [unit:mm]



## Module Circuit



# Amphenol

**Advanced Sensors**

[www.amphenol-sensors.com](http://www.amphenol-sensors.com)

© 2014 Amphenol Corporation. All Rights Reserved. Specifications are subject to change without notice. Other company names and product names used in this document are the registered trademarks or trademarks of their respective owners.